



US009578925B1

(12) **United States Patent**  
**Michel et al.**

(10) **Patent No.:** **US 9,578,925 B1**  
(45) **Date of Patent:** **Feb. 28, 2017**

- (54) **WATERPROOF FOOTWEAR POCKET**
- (71) Applicants: **Joseph B. Michel**, Gloucester City, NJ (US); **Rosa Medley**, Gloucester City, NJ (US)
- (72) Inventors: **Joseph B. Michel**, Gloucester City, NJ (US); **Rosa Medley**, Gloucester City, NJ (US)
- (\*) Notice: Subject to any disclaimer, the term of this patent is extended or adjusted under 35 U.S.C. 154(b) by 227 days.
- (21) Appl. No.: **14/219,228**
- (22) Filed: **Mar. 19, 2014**

|           |     |         |          |       |             |        |
|-----------|-----|---------|----------|-------|-------------|--------|
| 4,296,559 | A * | 10/1981 | Gamm     | ..... | A43B 3/0031 | 36/136 |
| 4,384,414 | A * | 5/1983  | Gamm     | ..... | A43B 3/0031 | 2/252  |
| 4,547,982 | A * | 10/1985 | Gamm     | ..... | A43B 3/0031 | 36/114 |
| 4,611,416 | A * | 9/1986  | Lin      | ..... | A43B 1/0072 | 2/245  |
| 4,612,714 | A * | 9/1986  | Gamm     | ..... | A43B 3/0031 | 36/114 |
| 4,638,579 | A * | 1/1987  | Gamm     | ..... | A43B 3/0031 | 2/247  |
| 4,955,150 | A * | 9/1990  | Fagan    | ..... | A43B 1/0072 | 36/136 |
| D378,010  | S * | 2/1997  | Isenberg | ..... | D2/946      |        |
| D404,546  | S * | 1/1999  | Isenberg | ..... | D2/905      |        |
| 5,970,633 | A * | 10/1999 | Jones    | ..... | A43B 1/0036 | 36/136 |
| D506,596  | S * | 6/2005  | Kim      | ..... | D2/905      |        |

(Continued)

**Related U.S. Application Data**

- (60) Provisional application No. 61/804,826, filed on Mar. 25, 2013.
- (51) **Int. Cl.**  
*A43B 3/00* (2006.01)  
*A43B 23/24* (2006.01)
- (52) **U.S. Cl.**  
CPC ..... *A43B 23/24* (2013.01); *A43B 3/0031* (2013.01)
- (58) **Field of Classification Search**  
CPC ..... A43B 3/0031; A43B 23/24; A43C 19/00  
USPC ..... 36/136; D2/972  
See application file for complete search history.

Primary Examiner — Marie Bays

(74) *Attorney, Agent, or Firm* — Quickpatents, LLC; Kevin Prince

(57) **ABSTRACT**

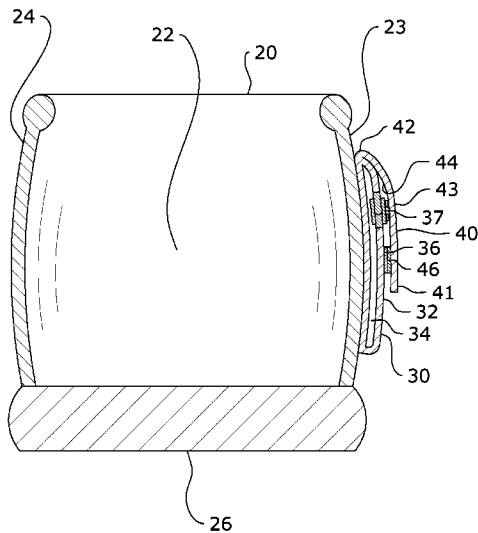
A waterproof footwear pocket which protects various small items from exposure to water while being secured in a pocket on a shoe. The waterproof footwear pocket generally includes footwear having a water-proof pocket positioned along an outer surface thereof. The pocket includes a main body having an opening leading to an internal cavity. A closure member is provided to selectively open or close the opening so that an object may be positioned therein. The closure member may include a sealant to further prevent water incursion. A flap is provided which may be selectively lowered over the main body of the pocket to cover the opening. Using the present invention, an object such as a key fob may be safely protected from water damage by being placed within the pocket when activities such as water sports which carry a high risk of water exposure are being performed.

(56) **References Cited**

U.S. PATENT DOCUMENTS

|           |     |         |            |       |             |        |
|-----------|-----|---------|------------|-------|-------------|--------|
| 1,289,341 | A * | 12/1918 | Wirsching  | ..... | A43B 3/0031 | 36/1   |
| 4,280,287 | A * | 7/1981  | Gulbransen | ..... | A43B 23/025 | 36/114 |

**19 Claims, 6 Drawing Sheets**



(56)

**References Cited**

U.S. PATENT DOCUMENTS

|              |      |         |              |       |                         |
|--------------|------|---------|--------------|-------|-------------------------|
| 7,758,242    | B2 * | 7/2010  | May          | ..... | A44B 19/16<br>24/585.12 |
| 2004/0066990 | A1 * | 4/2004  | Schneider    | ..... | B31B 19/90<br>383/204   |
| 2008/0022558 | A1 * | 1/2008  | Kaufer       | ..... | A43B 3/0031<br>36/100   |
| 2009/0297817 | A1 * | 12/2009 | Olajide, Jr. | ..... | B32B 27/32<br>428/223   |
| 2012/0110873 | A1 * | 5/2012  | Chen         | ..... | A43B 1/0072<br>36/136   |
| 2012/0171912 | A1 * | 7/2012  | Ewing        | ..... | B63C 9/11<br>441/106    |

\* cited by examiner

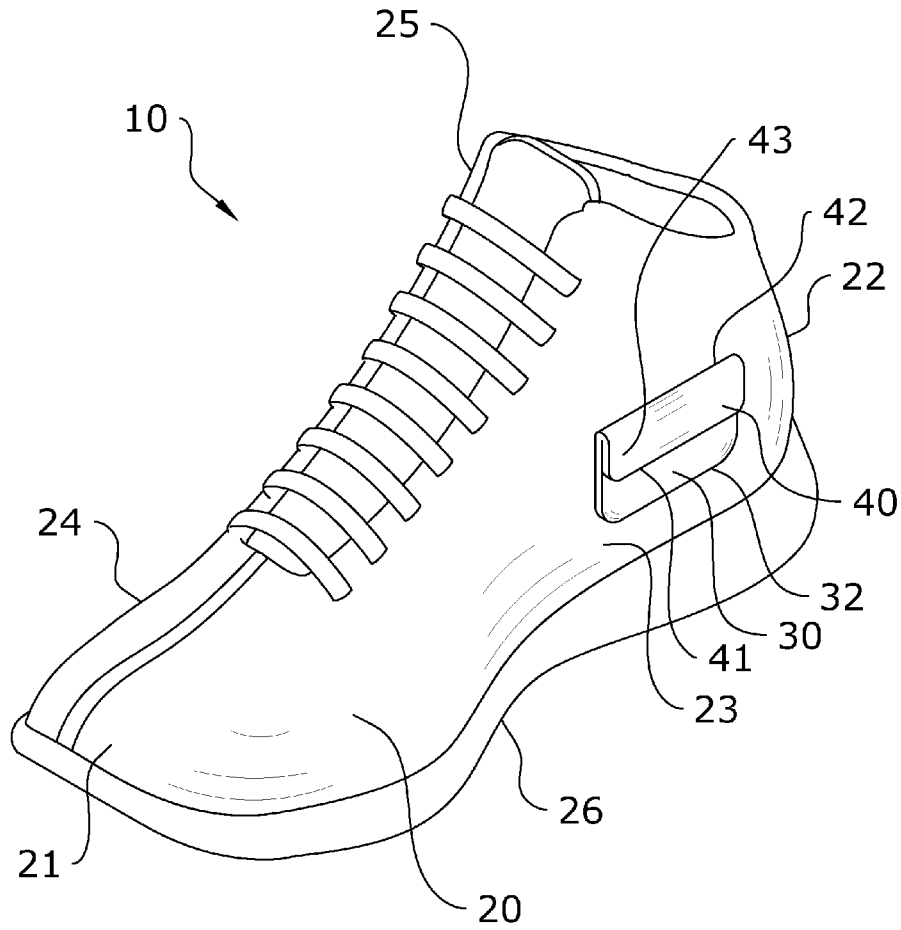


FIG. 1

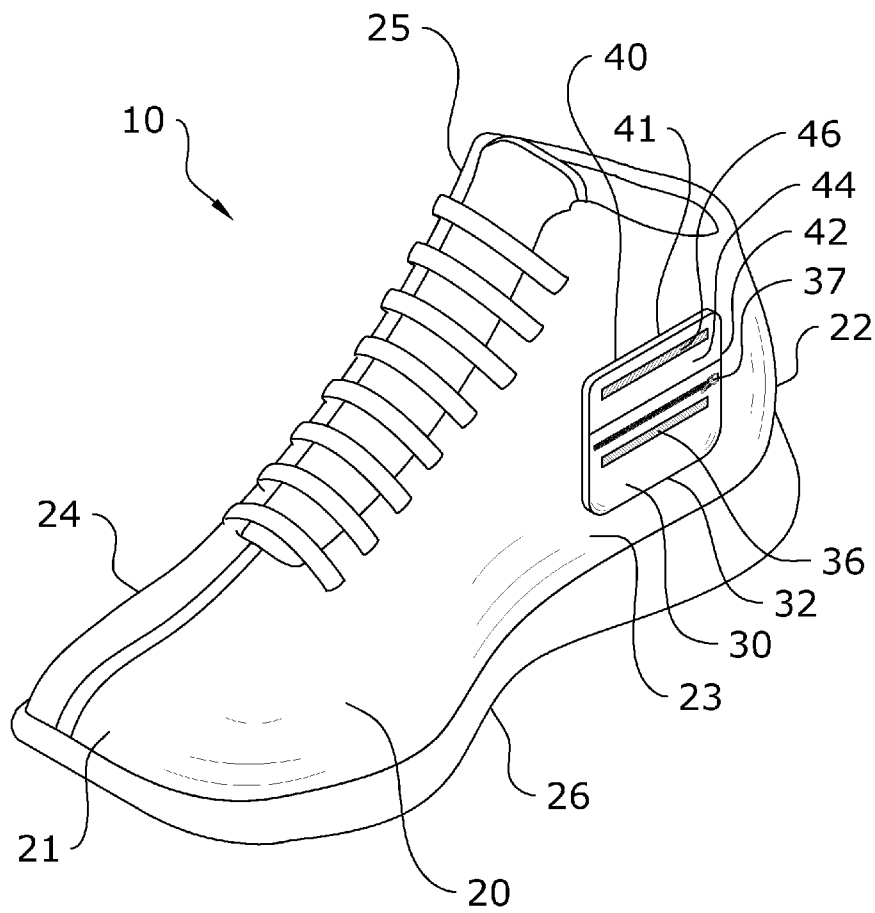


FIG. 2

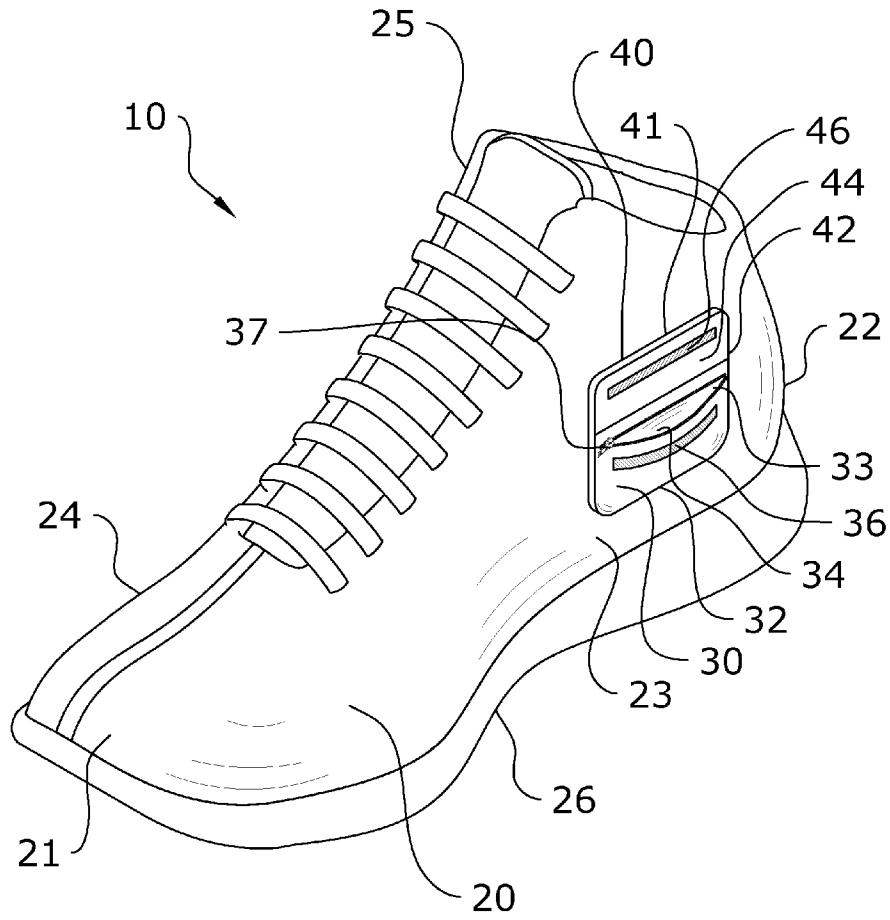


FIG. 3

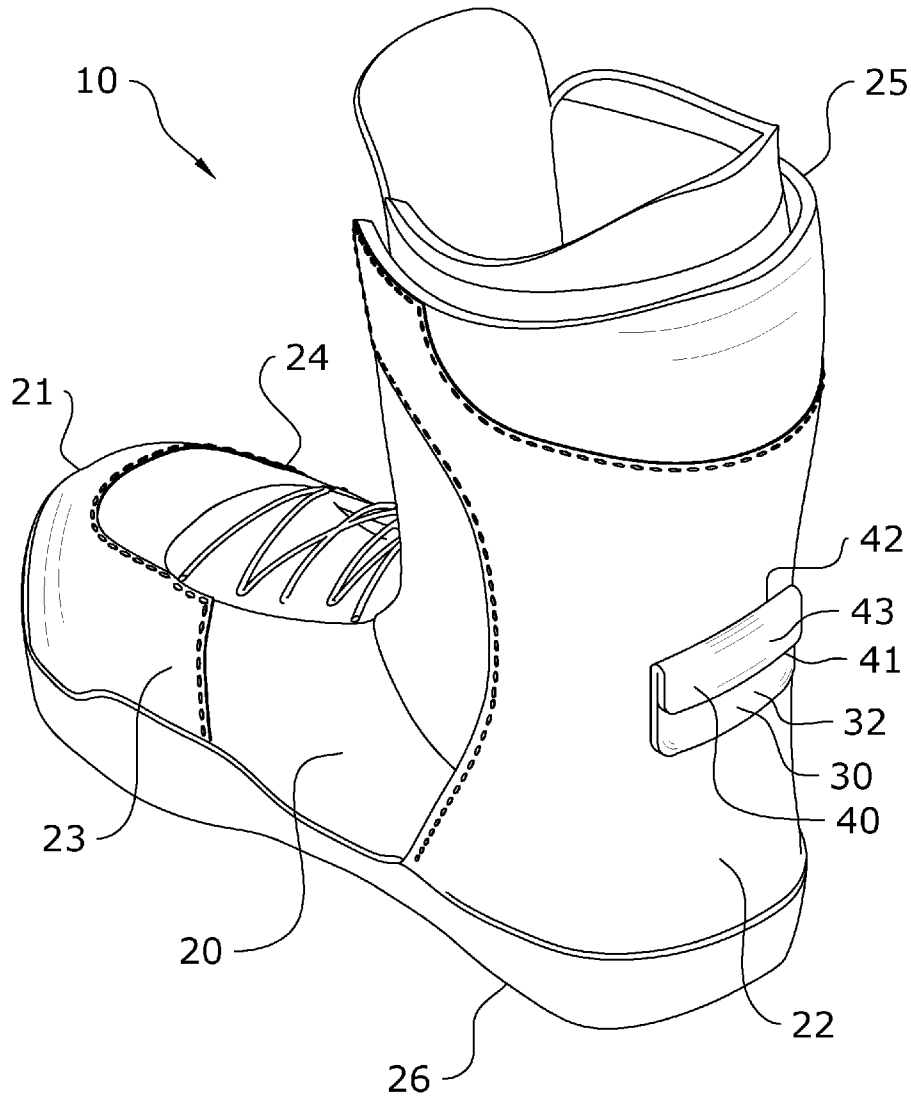


FIG. 4

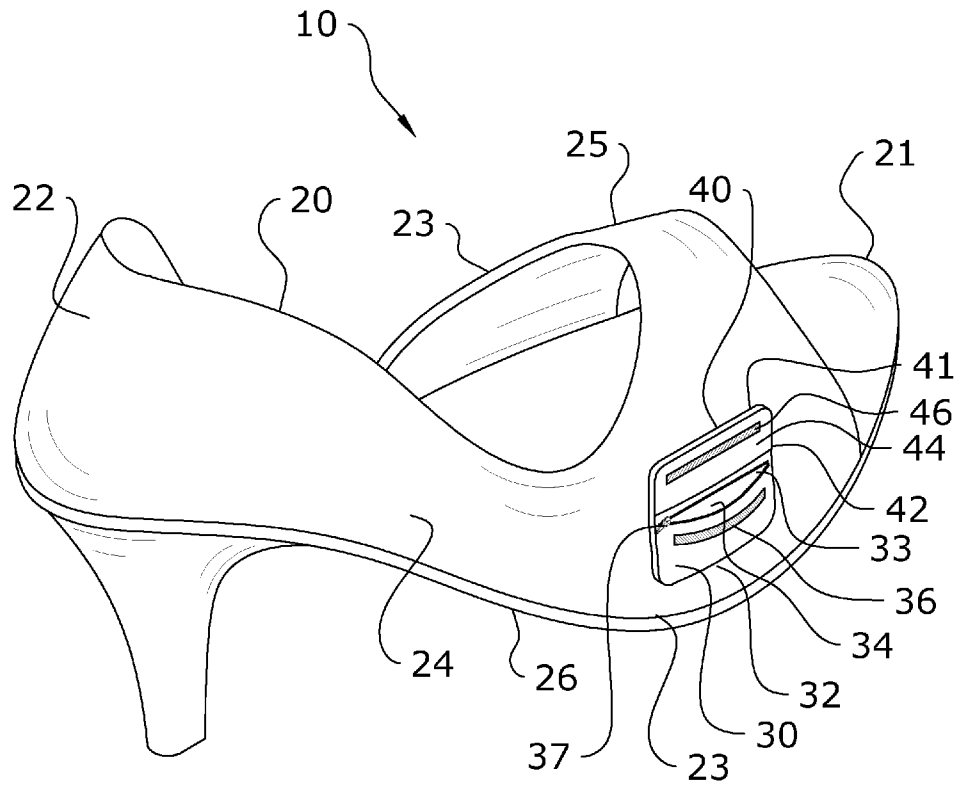


FIG. 5

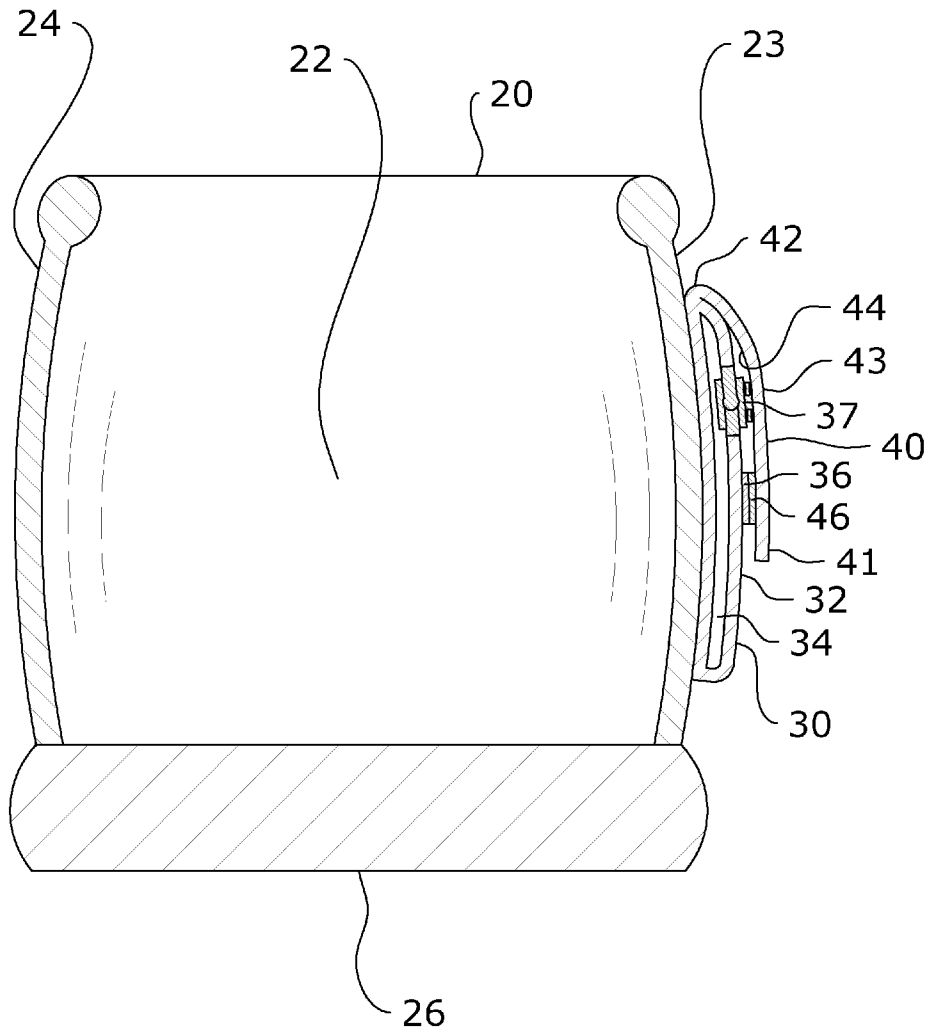


FIG. 6



**WATERPROOF FOOTWEAR POCKET****CROSS REFERENCE TO RELATED APPLICATIONS**

I hereby claim benefit under Title 35, United States Code, Section 119(e) of U.S. provisional patent application Ser. No. 61/804,826 filed Mar. 25, 2013. The 61/804,826 application is hereby incorporated by reference into this application.

**STATEMENT REGARDING FEDERALLY SPONSORED RESEARCH OR DEVELOPMENT**

Not applicable to this application.

**BACKGROUND OF THE INVENTION****Field of the Invention**

The present invention relates generally to a pocket for footwear and more specifically it relates to a waterproof footwear pocket which protects various small items from exposure to water while being secured in a pocket on a shoe.

**Description of the Related Art**

Any discussion of the related art throughout the specification should in no way be considered as an admission that such related art is widely known or forms part of common general knowledge in the field.

Protecting one's valuables from exposure to water is increasingly important in recent times, particularly due to the ever-increasing presence of various electronic devices in the average life. When performing activities which one could reasonably expect would risk exposure to water, one is often either required to leave small valuables (such as keys or a cell phone) in a locker or other location where they could be exposed to theft. Alternatively, one is forced to risk bringing such valuables along to such activities with the understanding that there is a risk of such valuables being exposed to water.

Because of the inherent problems with the related art, there is a need for a new and improved waterproof footwear pocket which protects various small items from exposure to water while being secured in a pocket on a shoe.

**BRIEF SUMMARY OF THE INVENTION**

The invention generally relates to a waterproof pocket for footwear which includes footwear having a water-proof pocket positioned along an outer surface thereof. The pocket includes a main body having an opening leading to an internal cavity. A closure member is provided to selectively open or close the opening so that an object may be positioned therein. The closure member may include a sealant to further prevent water incursion. A flap is provided which may be selectively lowered over the main body of the pocket to cover the opening. Using the present invention, an object such as a key fob may be safely protected from water damage by being placed within the pocket when activities such as water sports which carry a high risk of water exposure are being performed.

There has thus been outlined, rather broadly, some of the features of the invention in order that the detailed description thereof may be better understood, and in order that the present contribution to the art may be better appreciated. There are additional features of the invention that will be described hereinafter and that will form the subject matter of the claims appended hereto. In this respect, before explain-

ing at least one embodiment of the invention in detail, it is to be understood that the invention is not limited in its application to the details of construction or to the arrangements of the components set forth in the following description or illustrated in the drawings. The invention is capable of other embodiments and of being practiced and carried out in various ways. Also, it is to be understood that the phraseology and terminology employed herein are for the purpose of the description and should not be regarded as limiting.

**BRIEF DESCRIPTION OF THE DRAWINGS**

Various other objects, features and attendant advantages of the present invention will become fully appreciated as the same becomes better understood when considered in conjunction with the accompanying drawings, in which like reference characters designate the same or similar parts throughout the several views, and wherein:

FIG. 1 is an upper perspective view of the present invention with the flap in a closed state incorporated with a first type of footwear.

FIG. 2 is an upper perspective view of the present invention with the flap in an opened state incorporated with a first type of footwear.

FIG. 3 is an upper perspective view of the present invention with the flap opened and the pocket compartment exposed incorporated with a first type of footwear.

FIG. 4 is an upper perspective view of an alternate placement of the present invention on a second type of footwear.

FIG. 5 is an upper perspective view of an alternate placement of the present invention on a third type of footwear.

FIG. 6 is a rear sectional view of the present invention.

**DETAILED DESCRIPTION OF THE INVENTION****A. Overview.**

Turning now descriptively to the drawings, in which similar reference characters denote similar elements throughout the several views, FIGS. 1 through 6 illustrate a waterproof footwear pocket 10, which comprises footwear 20 having a water-proof pocket 30 positioned along an outer surface thereof. The pocket 30 includes a main body 32 having an opening 33 leading to an internal cavity 34. A closure member 37 is provided to selectively open or close the opening 33 so that an object may be positioned therein. The closure member 37 may include a sealant to further prevent water incursion. A flap 40 is provided which may be selectively lowered over the main body 32 of the pocket 30 to cover the opening 33. Using the present invention, an object such as a key fob may be safely protected from water damage by being placed within the pocket 30 when activities such as water sports which carry a high risk of water exposure are being performed.

**B. Footwear.**

The present invention is adapted for use with a wide range of types of footwear 20. The present invention may be utilized with footwear 20 which is conventionally meant for water use, such as swimming shoes, sandals, and the like. The present invention may also be utilized with footwear 20 which is not conventionally meant for water use, such as sneakers, pumps, and the like. In any case, the present invention is included to protect various small items (such as

a key fob) from exposure to water through either water sports or routine day-to-day travel (such as puddles or heavy rain).

It should be appreciated that the present invention may be utilized with any type of footwear **20**. The figures illustrate exemplary embodiments of the present invention in a non-limiting manner. By way of example, FIGS. 1-3 illustrate an embodiment of the present invention in use with high-top sneakers. FIG. 4 illustrates an embodiment of the present invention in use with a boot, such as would be used in skiing, snowboarding, or traversing areas impacted by heavy snow. FIG. 5 illustrates an embodiment of the present invention in use with a woman's shoe. The present invention should not be construed as being limited to any particular type of footwear **20**.

Generally, the footwear **20** will include a front portion **21**, a rear portion **22**, a first side **23**, a second side **24**, an upper portion **25**, and a bottom portion **26**. The bottom portion **26** will generally comprise a sole or another structure on the footwear **20** which regularly impacts the ground. It should be appreciated that the present invention may be utilized on any portion **21**, **22**, **23**, **24**, **25**, **26** of the footwear **20**, depending on the design of the footwear **20** and the application by the user. Thus, the present invention should not be unnecessarily construed as being limited to any particular placement of the pocket **30** on the footwear **20**.

#### C. Pocket.

As shown throughout the figures, the present invention comprises a water-proof, leak-proof pocket **30** which is secured to footwear **20** such as a shoe or boot. As noted above, the placement of the pocket **30** may vary in different embodiments. FIGS. 1-3 illustrate a pocket **30** positioned on a first side **23** of footwear **20** adjacent to its rear portion **22**. FIG. 4 illustrates a pocket **30** positioned on the rear portion **22** of footwear **20**. FIG. 5 illustrates a pocket **30** positioned on a first side **23** of footwear **20** adjacent to its front portion **21**.

The pocket **20** may be secured to the footwear **20** or, in some embodiments, may be integrally formed therewith. As shown in the figures, the pocket **20** includes a main body **32** defining a cavity **34**, a closure member **37** for enclosing the cavity **34**, and a flap **40** which may be selectively positioned over the closure member **37**. In some embodiments, the flap **40** may be omitted. The pocket **20** is preferably comprised of a water-proof and leak-proof material, such as plastics, vinyls, and the like.

The overall shape of the pocket **30** may vary in different embodiments. The figures illustrate a substantially rectangular pocket **30** design for illustrative purposes. The pocket **30** could in some embodiments comprise different shapes, sizes, and configurations to accommodate different types of footwear **20** and/or different types of objects to be stored therein. By way of example, the pocket **30** could be round, triangular, polygonal, or comprised of irregular shapes.

The main body **32** of the pocket **30** is either secured to or integrally formed with the footwear **20**. The main body **32** includes an opening **33** which provides access to a cavity **34**. The cavity **34** may be fully formed within the main body **32** or may be defined by both the main body **32** of the pocket **30** and the outer surface of the footwear **20**. The main body **32** may be sewn onto the footwear **20** or otherwise secured thereto by various methods known in the art for securing a pocket **30** to an object such as footwear **20**. As mentioned previously, the main body **32** may also be partially or fully integrally formed with the footwear **20** itself.

As best shown in FIGS. 2 and 3, the opening **33** of the pocket **30** may include a closure member **37** for closing and

sealing the cavity **34** from leaks or other incursions by fluids. In a preferred embodiment, the closure member **37** may comprise a zipper as shown in the figures. The closure member **37** may be lined with a sealant to improve the sealing properties of the present invention and further prevent water leakage into the cavity **34**. Various other closures may be utilized other than zippers so long as the cavity **34** is protected from water leakage when the closure member **37** is in its closed state.

The pocket **30** may include a flap **40** which is selectively positioned to cover the opening **33** and closure member **37** as best shown in FIGS. 1 and 2. The flap **40** will generally extend above the main body **32** of the pocket **30** and be selectively folded over to partially or wholly cover the main body **32**. When closed, the flap **40** will fully cover the opening **33** and closure member **37** to provide additional protection from water leaks.

The flap **40** will preferably be comprised of a water-proof material. The flap **40** may be comprised of the same material as the main body **32** of the pocket **30** or may be comprised of a different material. The flap **40** may be secured to the main body **32** of the pocket **30** or may be secured directly to the footwear **30** in a manner which allows the flap **40** to be selectively extended over the main body **32** of the pocket **30**. In other embodiments, the flap **40** may be integrally formed with the main body **32** of the pocket **30**, simply including a creased edge which allows the flap **40** to be selectively lifted to expose the opening **33** or lowered to cover the opening **33**.

The shape, size, and configuration of the flap **40** may vary. As shown in the figures, the flap **40** includes an upper end **41**, a lower end **42**, an outer surface **43**, and an inner surface **44**. The lower end **42** of the flap **40** is generally positioned adjacent to the upper end of the main body **32** of the pocket **30** as shown in the figures. The upper end **41** of the flap **40** may be selectively lowered so that the flap **40** partially or fully covers the main body **32** of the pocket **30**. When so lowered, the outer surface **43** of the flap **40** will be exposed and the inner surface **44** of the flap **40** will rest against the main body **32** of the pocket **30**, such as shown in FIG. 6.

To removably retain the flap **40** in its closed position, the main body **32** of the pocket **30** and/or the flap **40** may include one or more connectors **36**, **46** which are adapted to selectively and removably engage with each other to removably retain the flap **40** against the pocket **30** in a configuration best shown in FIGS. 1 and 6. In a preferred embodiment, a first connector **36** is positioned on the main body **32** of the pocket **30** beneath the opening **33** and a second connector **46** is positioned on the inner surface **44** of the flap **40** adjacent to its upper end **41**. While the figures illustrate hook-and-loop fasteners as comprising the connectors **36**, **46**, it should be appreciated that other connectors **36**, **46** may be utilized to secure the flap **40** over the pocket **30**.

#### D. Operation of Preferred Embodiment.

In use, the flap **40** is first lifted off the main body **32** of the pocket **30**. The closure member **37** may then be disengaged (such as by unzipping) to expose the opening **33** leading to the cavity **34**. An object such as a key fob, cell phone, or the like may then be positioned within the cavity **34** of the pocket **30**. The closure member **36** is then closed (such as by zipping) and the flap **40** lowered over the main body **32** and secured thereto by use of the connectors **36**, **46**. The object is now protected from water damage.

When needed, the flap **40** may be lifted off the main body **32** to expose the closure member **37**. The closure member **37** may be disengaged to expose the opening **33** and cavity **34**. The object may then be removed from the pocket **30**, the

5

closure member 37 closed, and the flap 40 repositioned down over the main body 32 to await further use.

Unless otherwise defined, all technical and scientific terms used herein have the same meaning as commonly understood by one of ordinary skill in the art to which this invention belongs. Although methods and materials similar to or equivalent to those described herein can be used in the practice or testing of the present invention, suitable methods and materials are described above. All publications, patent applications, patents, and other references mentioned herein are incorporated by reference in their entirety to the extent allowed by applicable law and regulations. The present invention may be embodied in other specific forms without departing from the spirit or essential attributes thereof, and it is therefore desired that the present embodiment be considered in all respects as illustrative and not restrictive. Any headings utilized within the description are for convenience only and have no legal or limiting effect.

The invention claimed is:

- 1. A waterproof footwear pocket, comprising:
  - a main body comprised of a waterproof material;
  - a cavity formed within said main body;
  - an opening leading to a said cavity of said main body;
  - a flap adapted to be removably secured to said main body to selectively cover said opening;
  - a first closure member adapted to selectively open or close said opening; and
  - a second closure member selectively opening and closing the flap over the first closure member, wherein the waterproof footwear pocket is formed as an integral Y-shape with an end of the leg of the Y-shape and a first arm of the Y-shape forming a generally C-shaped element, with ends of the C-shaped element joined by the first closure member, the flap being formed from a second arm of the Y-shape, the second arm being longer than the first arm.
- 2. The waterproof footwear pocket of claim 1, wherein said flap is extends from an upper portion of the C-shaped element.
- 3. The waterproof footwear pocket of claim 1, further comprising a first connector on said main body and a second connector on an inner surface of said flap.
- 4. The waterproof footwear pocket of claim 3, wherein said first connector and said second connector comprise hook-and-loop fasteners.
- 5. The waterproof footwear pocket of claim 1, wherein said first closure member is comprised of a zipper.
- 6. The waterproof footwear pocket of claim 1, further comprising a sealant applied to said closure member.
- 7. The waterproof footwear pocket of claim 1, wherein said waterproof material is comprised of plastic.

6

8. The waterproof footwear pocket of claim 1, wherein a base of the main body is attached to an outer surface of footwear.

9. The waterproof footwear pocket of claim 1, wherein a base of the main body forms a portion of an outer surface of footwear.

10. A waterproof footwear pocket system, comprising:
a footwear, wherein said footwear includes an outer surface;
a pocket including a main body comprised of a waterproof material;
an opening leading to a cavity of said main body;
a flap removably secured to said main body to selectively cover said opening; and
a first closure member adapted to selectively open or close said opening; and
a second closure member selectively opening and closing the flap over the first closure member, wherein the pocket is formed as an integral Y-shape with an end of the leg of the Y-shape and a first arm of the Y-shape forming a generally C-shaped element, with ends of the C-shaped element joined by the first closure member, the flap being formed from a second arm of the Y-shape, the second arm being longer than the first arm.

11. The waterproof footwear pocket system of claim 10, further comprising a first connector on said main body and a second connector on an inner surface of said flap.

12. The waterproof footwear pocket system of claim 11, wherein said first connector and said second connector comprise hook-and-loop fasteners.

13. The waterproof footwear pocket system of claim 10, wherein said first closure member is comprised of a zipper.

14. The waterproof footwear pocket system of claim 10, further comprising a sealant applied to said closure member.

15. The waterproof footwear pocket system of claim 10, wherein said waterproof material is comprised of vinyl.

16. The waterproof footwear pocket system of claim 10, wherein said pocket is positioned on a first side of said footwear.

17. The waterproof footwear pocket system of claim 10, wherein said pocket is positioned on a rear end of said footwear.

18. The waterproof footwear pocket of claim 10, wherein a base of the main body is attached to the outer surface of the footwear.

19. The waterproof footwear pocket of claim 10, wherein a base of the main body forms a portion of the outer surface of the footwear.

\* \* \* \* \*